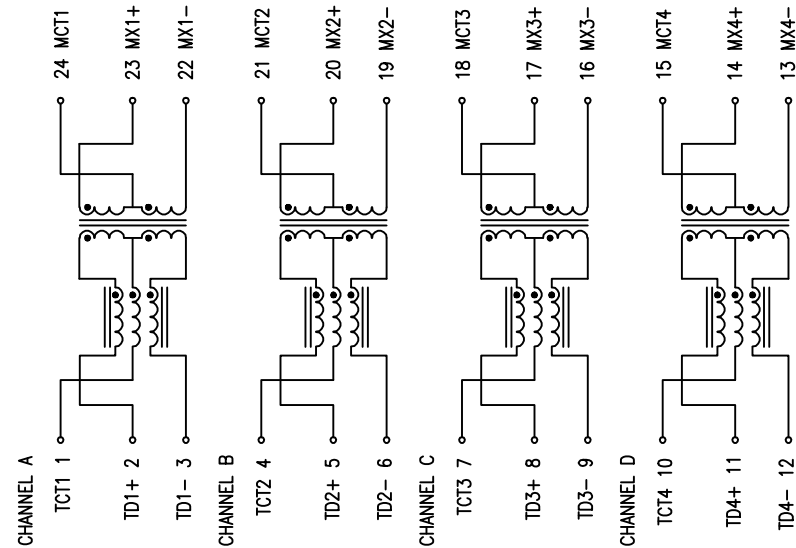


SUGGESTED PAD LAYOUT

UNLESS OTHERWISE SPECIFIED ALL TOLERANCES ARE : ±0.25mm



ELECTRICAL CHARACTERISTICS:

1. TURN RATIO : TX = 1CT : 1CT ±3%
RX = 1CT : 1CT ±3%
2. OCL(@100KHZ,0.1Vrms W/H 8mA/DC BIAS) : 350uH MIN.
3. HI-POT : 1.5KVrms
4. CROSS TALK ATTENUATION : 1-100MHz = -30dB MIN.
5. RETURN LOSS : 1-40MHz = -16dB MIN.
40-80MHz = -10+20log(f/80) dB MIN.
80-100MHz = -100dB MIN.
6. INSERTION LOSS : 1-100MHz = -1.1dB MAX.
7. DCMR : 1-100MHz = -30dB MIN.
8. OPERATING TEMPERATURE RANGE : -40°C~+85°C
9. Suitable for End-span PoE Application with 720mA Current capability
10. STORAGE TEMPERATURE RANGE : -40°C TO +125°C
11. RoHS COMPLIANT

							TITLE 10/100/1000 BASE-T PoE+ TRANSFORMER	
							DWG. NO. ATPL-478R	
RELEASE		08/31/2018	SHIRLEY	BETTY	BETTY	UNITS: M/M	SAFETY	SHEET 1 of 1
NO:	DESCRIPTION	DATE	BY	CHK	APPD	DATE 08/31/18	P/N:	DRAW SHIRLEY
REVISIONS								